

# ADA Power Operators

## Embracing ADA Accessibility Pays Off

Providing easy accessibility for people with disabilities, the elderly and the frail.



- The proven standard in schools and healthcare facilities for over 25 years!
- 5 distinct low-energy products to meet all ADA applications
- Unique fast and accurate installation features
- Easy-to-adjust smart diagnostic controls
- Easily retrofitted into existing doors and frames as well as new construction



- Proven LCN ADA Power Operators
- Easy to Select, Install and Maintain
- Fully Integrated Solutions

# What is ADA?

The American's with Disabilities Act (ADA) is a civil rights law, not a building code. This act is designed to provide protection for people with disabilities. The law is divided into four major titles that prohibit discrimination against people with disabilities in Employment (Title 1), Public Service (Title II), Public Accommodations (Title III), and Telecommunications (Title IV). Title III concerns doors and door control.

## What is the intent of ADA, Title III?

---

Essentially, owners of certain types of buildings must remove barriers and provide people with disabilities with access equal to, or similar to, that available to the general public.

## How does ADA affect doors?

---

The ADA defines an “accessible” opening which means, among other things, providing a door with a minimum 32” (813mm) clear opening, easily manipulated handles, a maximum opening force, a minimum closing time, and capable of opening to at least 90°. LCN Power Operators meet ADA requirements.

# LCN Power Operators For

## Primarily Manual Opening With Available Push Button Assist

To be used when the primary use of the door is for manual opening. The door will be manually opened most of the time and at the touch of a button, the door will open safely and automatically. LCN power operators control both the opening and closing motion of the door.

### 4600 Electric AutoEqualizer™



4630 shown

#### Smart & Reliable:

- NEW Digital Control Suite for easy installation & setup
- Complete unit tested to over 3 Million automated cycles, 10 times the industry standard!
- Integrates LCN's **10 Million cycles** Heavy Duty 4040 Door Closer
- Complete On-Board Diagnostics ensures trouble-free installation
- No-Destruct Feature ensures long-life even in abusive applications
- Convenient On-Board Power Supply to power actuators, electric strikes and peripherals
- Backup Factory-Default Memory allows you to reset the unit to default settings
- Quick Plug-and-Play connections makes sensor integrations simple & fast
- Electro-hydraulic unit
- No guard rails or safety mats required due to low-energy design
- Mounting Configurations:
  - Surface mount top jamb (pull and push side)
- Available in seven standard or 180 custom powder-coated finishes
- UL Listed as Fire Rated Door Operators with Automatic Closers, Category (GUJY)



Digital Control Suite

### 4800 Pneumatic AutoEqualizer™



4810 Shown

#### Multi-Door System:

- Ideal for multiple door applications since cost per door leaf decreases significantly as door leaves increase.
- Complete unit tested to over 3 Million automated cycles, 10 times the industry standard!
- Integrates LCN's **10 Million cycles** Heavy Duty 4040 Door Closer
- Pneumatic door control provides **QUIET**, efficient and very reliable operation – ideal for libraries and churches.
- Pneumatic operation allows use in hazardous areas where electrically operated devices would not be permitted
- Heavy Duty control boxes can be supplied with integral compressor for independent operation or can be plumbed into existing building air supply
- Available with “Blow Open” control box that is controlled by smoke evacuation system
- Pneumatic-hydraulic unit
- No guard rails or safety mats needed due to low-energy design
- Mounting Configurations:
  - Surface mount top jamb (pull and push side)
  - Door mount parallel arm
  - **Overhead concealed**
- Available in seven standard or 180 custom powder-coated finishes
- UL Listed as Swinging Door Closers, Category (GVEV)

## Actuators and Accessories For All LCN

#### Hardwired Actuators:



##### Wall Mount

- Stainless steel plate
- Engraved symbol conforms to entrance accessibility codes
- Available in 6" or 4-1/2" diameters



##### Jamb Mount

- Stainless steel plate
- Mounts in door jamb as narrow as 1-3/4"



##### Touchless

- Triggered by movement near the face of the actuator

#### Wireless (RF) Actuators:



##### Surface Mount

- 9V battery powered
- Stainless steel plate - 4-1/2" diameter
- Weather resistant



##### Bollard Mount

- 9V battery powered
- Stainless steel plate - 6" diameter
- Weather resistant



##### Handheld

- 9V battery powered

**2 Year Warranty**

# Every ADA Application

## Primarily Automatic Opening

To be used when the primary use of the door is for automatic opening. The door will be automatically opened most of the time and can be manually opened when needed.

### Senior Swing™ / Middle Swing



#### Reliable with Power Boost:

- 8 1/2 lbs of opening force (Middle Swing)
- Power Boost Assisted closing assures secure latching regardless of drafts, wind gusts, or pressure differentials (Senior Swing)
- Complete unit tested internally to over **10 Million automated cycles!**
- Built-in "Blow Open" capability, requires emergency back-up system (Senior Swing)
- Push 'N' Go feature for automatic requirements without the added expense of optional activation accessories
- Auto Reverse on opening cycle – provides safety by reversing direction when coming into contact with a person/object
- Bottom load capability for simplified field adjustability and quicker installations
- Full-length covers available to cover entire doors or pairs of doors for an appealing appearance
- Encased gears and controls for longer lasting protection against grime buildup and the elements
- Electromechanical unit and microprocessor controls for state of the art programmability and reliability
- No guard rails or safety mats needed due to low-energy design
- Mounting Configurations:
  - Surface applied with either push or pull arm
  - Overhead concealed with center hung or butt hung application arm
- Available in Aluminum or Dark Bronze, and painted units
- UL Listed as Fire Rated Door Operators with Automatic Closers, Category (GUJY)

### Benchmark



#### Cost Effective with Push 'N' Go:

- A durable product that combines functionality with affordability
- Complete unit tested to over **3 Million automated cycles**, 10 times the industry standard!
- Microprocessor control box for reliability
- Push 'N' Go feature for automatic requirements without the added expense of optional activation accessories
- Auto Reverse feature on opening cycle provides safety by reversing direction when coming into contact with a person or object
- Optional On-Board Power Supply to power actuators, electric strikes and peripherals are available on Premium controller
- Full-length covers available to cover entire door opening
- Adjustable manual opening force to maximize on site adjustment requirements
- Electromechanical unit
- No guard rails or safety mats needed due to low-energy design
- Mounting Configurations:
  - Surface applied with either push or pull arm
  - Available in Aluminum or Dark Bronze
- UL Listed as Fire Rated Door Operators with Automatic Closers, Category (GUJY)

## Power Operators:

#### Wireless (RF) Receivers:



- For use with wireless (RF) actuators

#### Sensors:



#### Motion Sensor

- Detects objects approaching or moving away from sensor



#### Sensor Remote Control

- Remotely adjusts settings on the Motion Sensor



#### Header Mount

- Infrared presence detector protects people on the swing side of the door



#### Door Mount

- Infrared presence detector protects people on the swing path of the door

#### Accessories:

#### Bollard Post

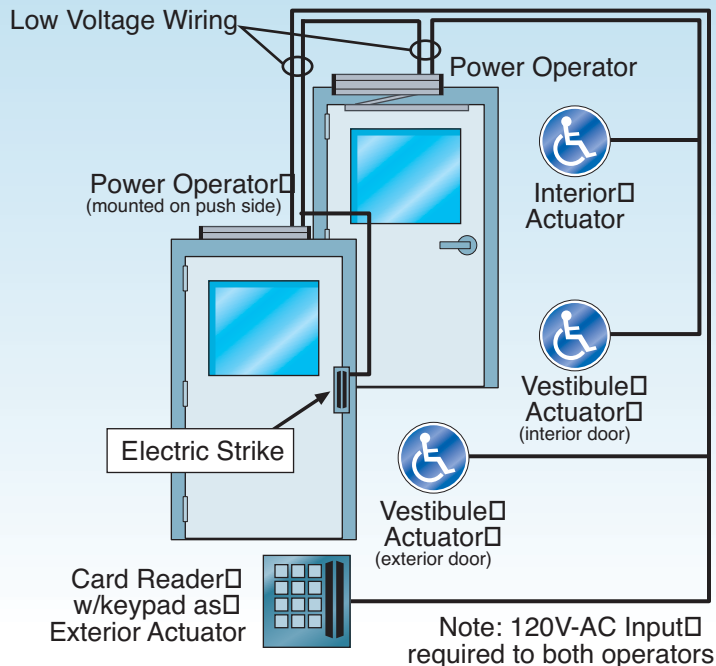
- 6" square aluminum post; 36", 42", 44", or 48" height
- Can be configured as a wireless (RF) or as a hardwired actuator



## 2 Year Warranty

# ADA Power Operators

## Typical Integrated Solution:



**Your Security and Safety Consultants provide additional support in integrated solutions in areas such as:**

- Electronic Support Services
- Security Solutions
- Fire and Life Safety Compliance
- HU/HA Applications
- Aesthetic Applications

To locate your regional Security and Safety Consultant, go to [www.irsecurityandsafety.com/support/consultants.htm](http://www.irsecurityandsafety.com/support/consultants.htm)



### LCN

121 West Railroad Avenue  
Princeton, IL 61356-0100  
800 526 2400  
Fax: 800 248 1460  
[www.lcnclosers.com](http://www.lcnclosers.com)